

PC TRICKLESAVER™

Reduce standby power of PC accessories

OVERVIEW

The product reduces the standby energy consumed by PC accessories. The product connects to a PC via a standard USB connector and detects the power status of a PC via the USB port.

When a PC is powered the product will switch On all accessories. Conversely when a PC is powered Off, the product will switch Off all accessories. The product is easy to install and provides simple automation to reduce wasteful standby energy consumption. The product is suitable for residential and workplace PC applications.

The product can be connected directly to equipment or connected to a standard electrical powerstrip with a number of connected devices.

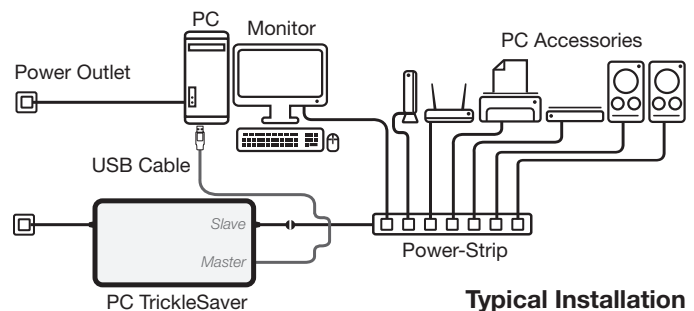
KEY FEATURES

- In-built relay for switching off devices that consume standby current.
- Rear mounting holes for wall, under desk mounting.

PRODUCT WARRANTY

The product is supplied with a 1 year product warranty against defective manufacturing and components.

PC APPLICATION



Typical Installation

ELECTRICAL SPECIFICATIONS

FOR INDOOR USE

Voltage	120 VAC +/- 10% 50Hz
Relay Rating	10A
USB cord	1.5 meters
Power in cord	0.3 meters
Power out cord	0.2 meter

ORDERING INFORMATION

150PC-US-W PC TrickleSaver, US

PHYSICAL SPECIFICATIONS

Operating Temperature	0° to 45°C
Storage Temperature	-10°C to +60°C
Humidity	5 to 90% N/C
IP Rating	IP20
Dimensions	112mm (L), 60mm (W), 34mm (H)
Colour	White

REGULATORY APPROVALS

Conformity to product standards for safety and EMC

UL

FCC

2002/95/EG (RoHS);

2002/96/EC (WEEE)

1999/5/EC (RTTE)

ILLUSTRATION

