

ULTRA LED Retrofit A-line Lamps



Rated up to 50,000 hours at 70% lumen maintenance, SYLVANIA LED A-line lamps offer years of service and reduce energy and maintenance costs. SYLVANIA LED lamps are environmentally preferred products. They are RoHS compliant, containing no mercury, lead or other hazardous materials. They emit no UV or IR radiation. The high CRI ensures greater color definition and with a choice of soft white (2700K) or white (3000K) CCT, the lamps can be used in many applications, both in home and businesses such as restaurants or hotels.

This device complies with part 15 of the FCC Rules. Operation is subject to the following two conditions: (1) This device may not cause harmful interference, and (2) this device must accept any interference received, including interference that may cause undesired operation. For FCC Part 15 user information, please see www.sylvania.com/fcc15b

Key Features & Benefits

	8W LED A-line Retrofit	8W LED A-line Retrofit (GU24)**	12W LED A-line Retrofit
UV, IR and Mercury Free & RoHS Compliant	X	X	X
Dimmable*	X		X
Rated at 25,000 hours life		X	X
Rated at 50,000 hours life	X		
UL1993 Listed	X	X	X
Available in 2700K	X		X
Available in 3000K	X	X	
Use in fixtures that support a half pound lamp	X	X	X
Medium Base	X		X
GU24 Base		X	
Operating Temperature -40°F and +113° F (-40°C and +45°C)	X		
Operating Temperature -4° F and +104° F (-20°C and +40°C)		X	X
Suitable for Indoor Use	X	X	X
Not for use with emergency light fixtures or exit lights	X	X	X
Not for use in enclosed fixtures	X	X	X
Use in dry locations only	X		X
Suitable for damp locations. Use in a UL rated fixture.		X	

*Please refer to Compatibility Dimmer List (RETRO-DIM) for a list of compatible dimmers or visit www.SYLVANIA.com/LED Retrofit

**Not for use with dimmers or in luminaires controlled by a dimmer.



Application Information

Market Segments

- Healthcare
- Hospitality
- Residential
- Restaurants
- Retail

Product Offering

Ordering Abbreviation	Wattage (W)	Base Type	Color Temperature	R9
LED8A/DIM/F/827	8	Medium Screw Base	2700K	43
LED8A/DIM/F/830	8	Medium Screw Base	3000K	48
LED8A/GU24/F/830	8	GU24	3000K	23
LED12A19/DIM/F/927	12	Medium Screw Base	2700K	83



Specification Data

Catalog #	Type
Project	
Comments	
Prepared by	Date

Ordering Information

Item Number	Ordering Abbreviation	Wattage (W)	Base Type	Input Voltage (V)	Average Rated Life (hrs.)	Typical Lumens (lm) ²	CCT ³	CRI ⁴	R9	Power Factor	Bulb Finish
78660	LED8A/DIM/F/827	8	Medium Screw Base	120	50,000	390	2700K	85	43	.94	Frosted White
78642	LED8A/DIM/F/830	8	Medium Screw Base	120	50,000	430	3000K	85	48	.95	Frosted White
78572	LED8A/GU24/F/830	8	GU24	120	25,000	350	3000K	82	23	.95	Frosted White
78677	LED12A19/DIM/F/927	12	Medium Screw Base	120	25,000	810	2700K	90	83	.97	Frosted White

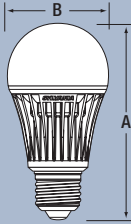
1. Hours lifetime with 70% lumen maintenance 2. Thermally stable typical lumens ($\pm 10\%$)
 3. Thermally stable typical CCT ($\pm 10\%$) 4. CRI – Color Rendering Index

Ordering Guide

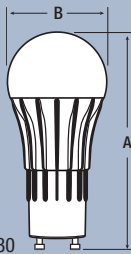
LED	8	A	/	DIM	/	F	/	830
LED Lamps and Retrofits	Wattage: 8	Lamp Type: A19		Dimmable		Frosted Enclosure		CRI, CCT: 830: 80+ CRI, 3000K CCT

Lamp Dimensions

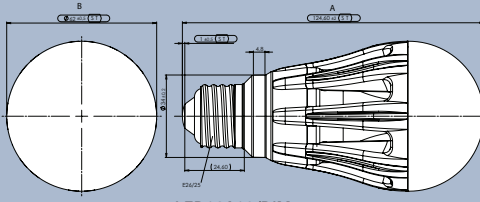
	(A) MOL (inches)	(B) Diameter (inches)
LED8A/DIM	4.3	2.3
LED8A/GU24/F/830	4.7	2.2
LED12A19/DIM	4.91	2.44



LED8A/DIM



LED8A/GU24/F/830

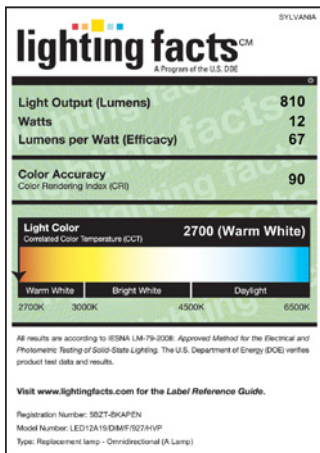
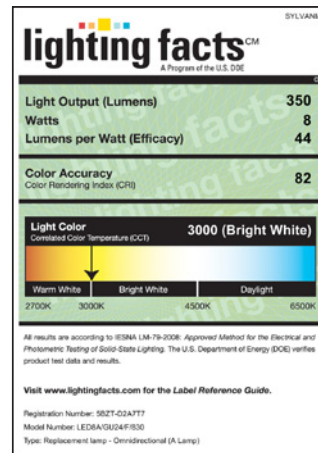
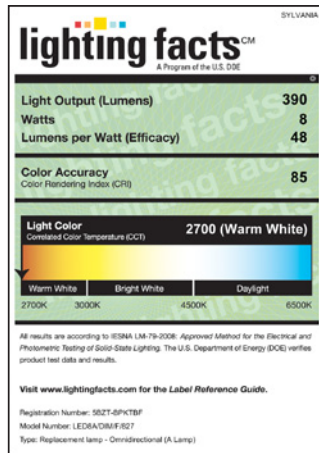
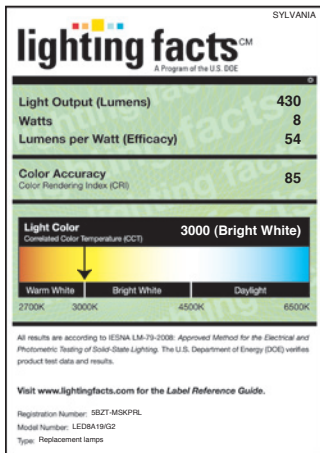


LED12A19/DIM

Energy Savings

Basic Product Description	LED Life (hrs.)	Similar Incandescent	Incandescent Life (hrs.)	Incandescent Lumens	Watts Saved	Energy Savings*	LED Life vs. Incandescent
LED8A/DIM	50,000	40A19	1,500	470	32	\$176	33x
LED8A/GU24/F/830	25,000	40A19	1,500	350	32	\$88	16.6x
LED12A19/DIM	25,000	60A19	1,000	855	48	\$132	25x

*Energy savings over life of lamp calculated at \$0.11/kWh



United States
OSRAM SYLVANIA
100 Endicott Street
Danvers, MA 01923

Trade
Phone: 1-800-255-5042
Fax: 1-800-255-5043

National Accounts
Phone: 1-800-562-4671
Fax: 1-800-562-4674

OEM/Special Markets
Phone: 1-800-762-7191
Fax: 1-800-762-7192

Display/Optic
Phone: 1-888-677-2627
Fax: 1-800-762-7192

Canada
OSRAM SYLVANIA LTD.
2001 Drew Road
Mississauga, ON L5S 1S4

Trade
Phone: 1-800-263-2852
Fax: 1-800-667-6772

OEM/Special Markets/Display/Optic
Phone: 1-800-265-2852
Fax: 1-800-667-6772

www.sylvania.com

SYLVANIA is a registered trademark of OSRAM SYLVANIA Inc.
SEE THE WORLD IN A NEW LIGHT is a registered trademark of OSRAM SYLVANIA Inc.
Specifications subject to change without notice.