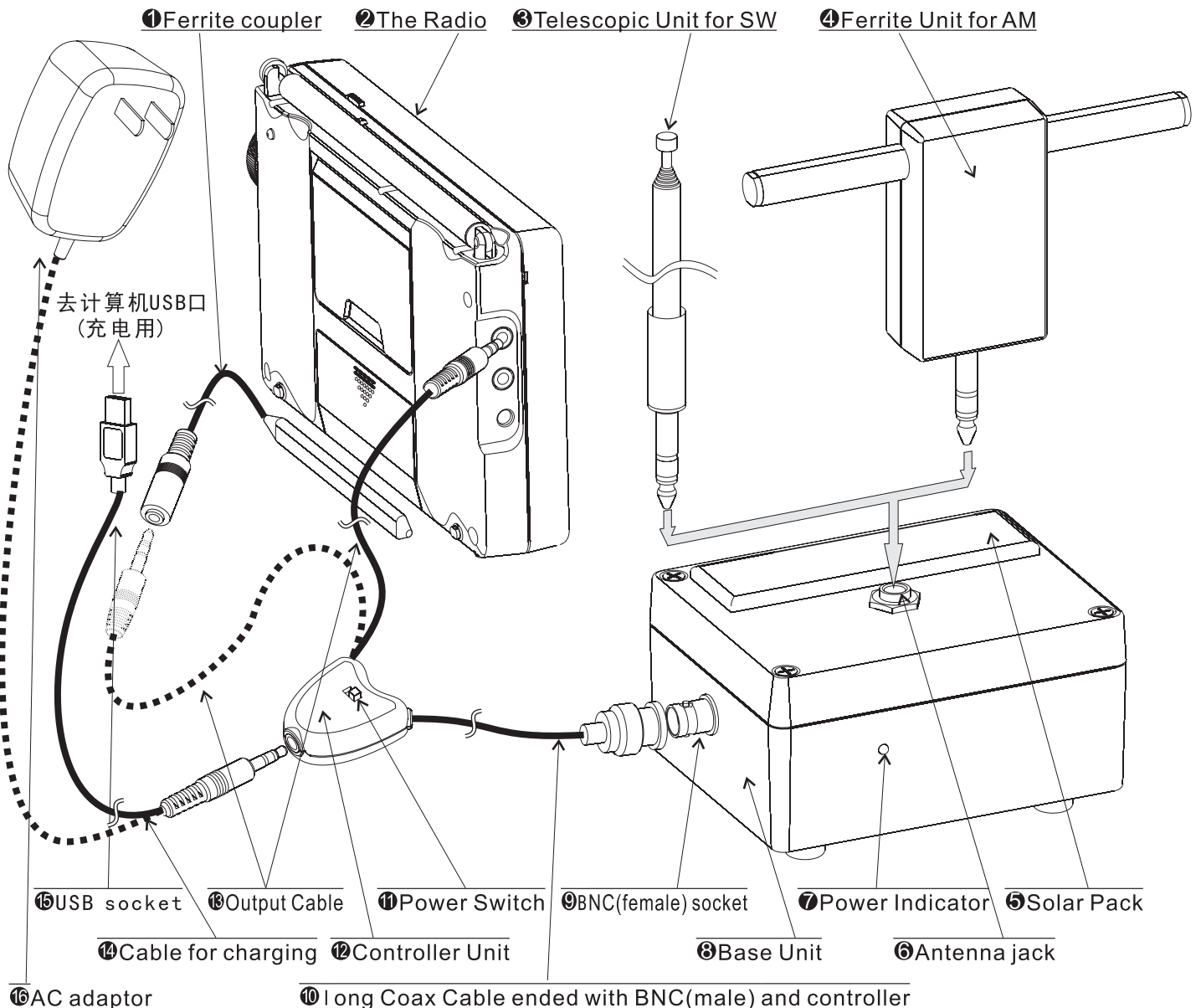


KA-35 Operation manual



Packing List :

1. Base Unit ⑧
2. Ferrite Unit for AM ④
3. Telescopic Unit for SW ③
4. Ferrite coupler ①
5. Controller Unit ⑫
6. Cable for Charging ⑭
7. AC adaptor ⑯
8. Operation Manual

Operation manual :

1. Take all the parts out the package, and put the Base Unit ⑧ in a good place for reception, like near the window, balcony, or where is easy to receive signals.
2. Insert the Ferrite Unit ④ (for AM) or Telescopic Unit ③ (for SW) into the Antenna Jack ⑥ of Base Unit ⑧.
3. Insert the BNC(male) ⑩ at one end of coax onto the BNC(female) ⑨ on one side Base Unit ⑧.
4. Insert the Output Cable ⑬ from controller ⑫ to the radio antenna jack, if the radio has no AM antenna jack, then insert the Output Cable ⑬ into the Ferrite Coupler ① as shown in the diagram.
5. Turn the power switch on , you will see the

power indicator lights, you can receive your station now.

Note on Charging

There are three ways to charge the working batteries, one is via solar pack, second is via AC adaptor, the third way is via USB power.

1. Use the solar pack. Put the base under direct sun light, the solar pack will pour solar energy into the batteries automatically.
2. You can use the USB power of computers to charge he battery. Connect the controller with a computer via Charg Cable, you can charge the batteries. Note that you have to switch ⑩ to OFF-CHG position, it won't charge at wrong position.
3. Use the AC adaptor to charge as shown in the diagram.

Cautions:

1. Keep this system far away from any big metal frames or bars.
2. This system is good for indoor use only.
3. If you charge it by USB or AC adaptor, it is better not to charge it over 12 hours.

If you have any questions, please contact Kaito Electronics, Inc. Or visit our website:
www.kaitousa.com
 5185 Cliffwood Drive, Montclair CA 91763